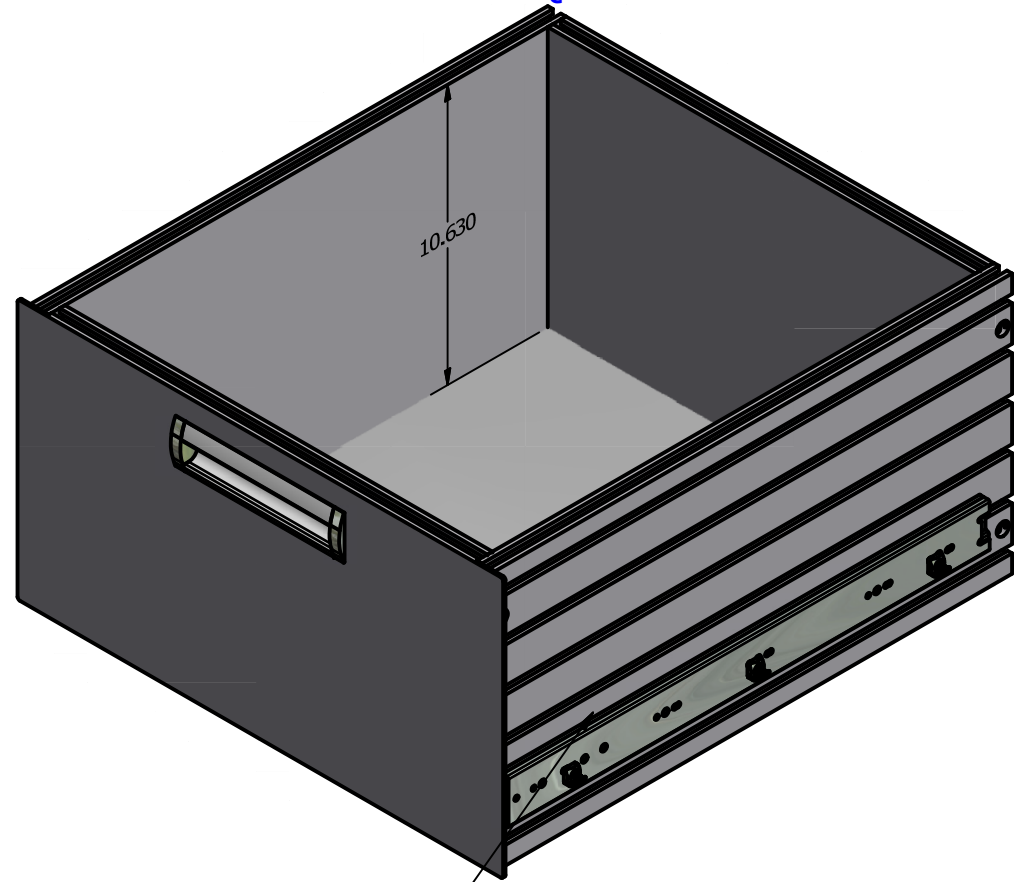
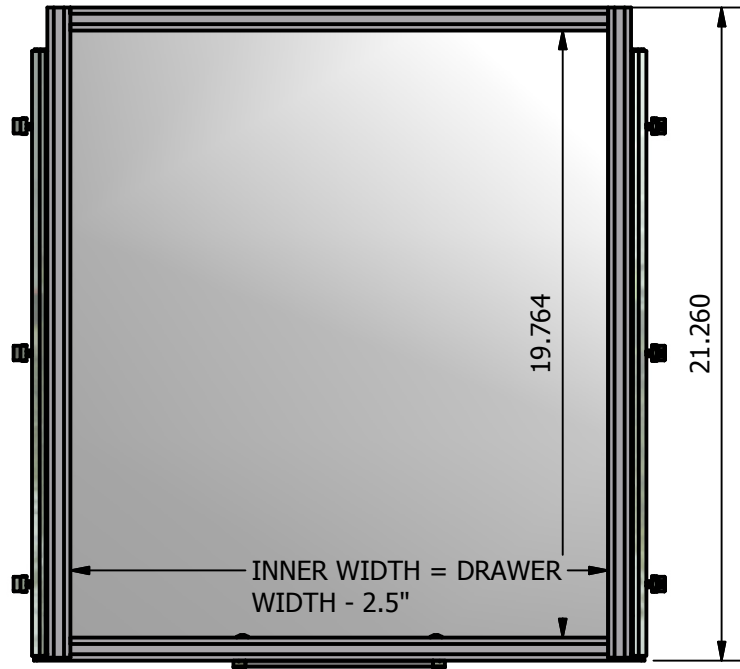
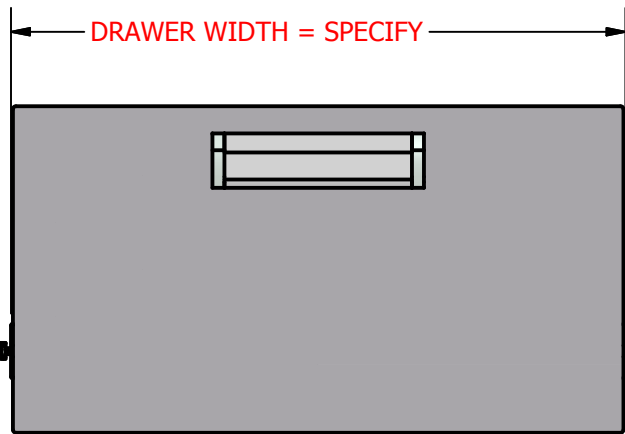



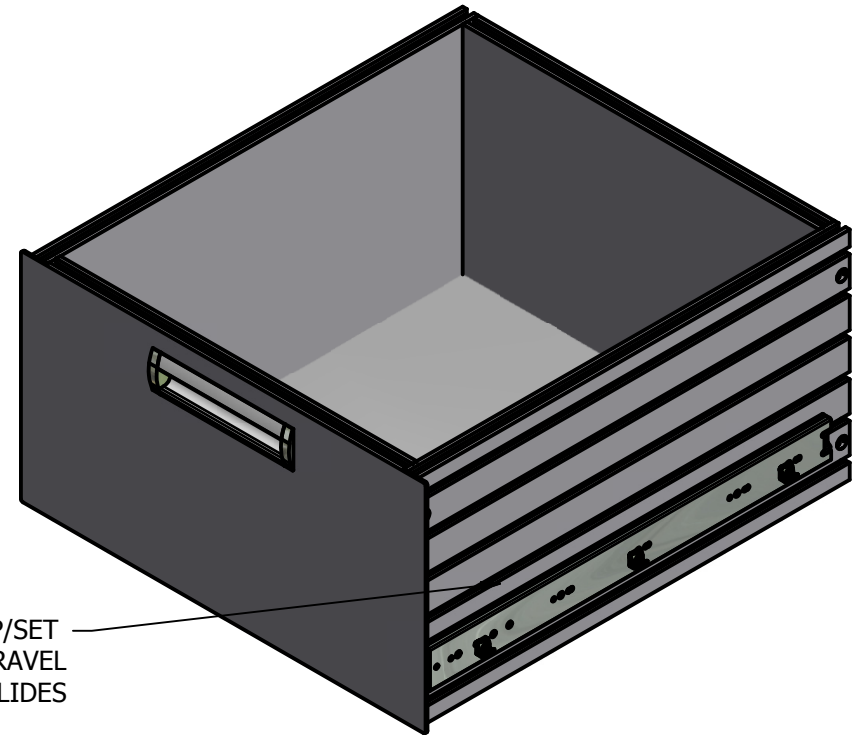
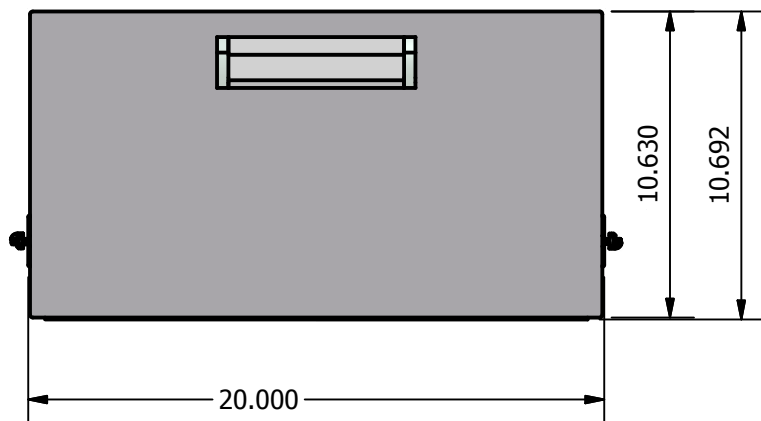
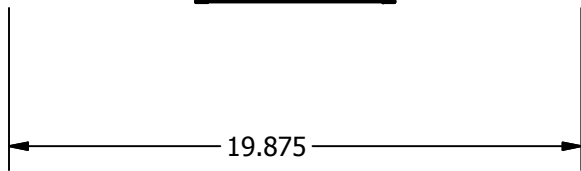
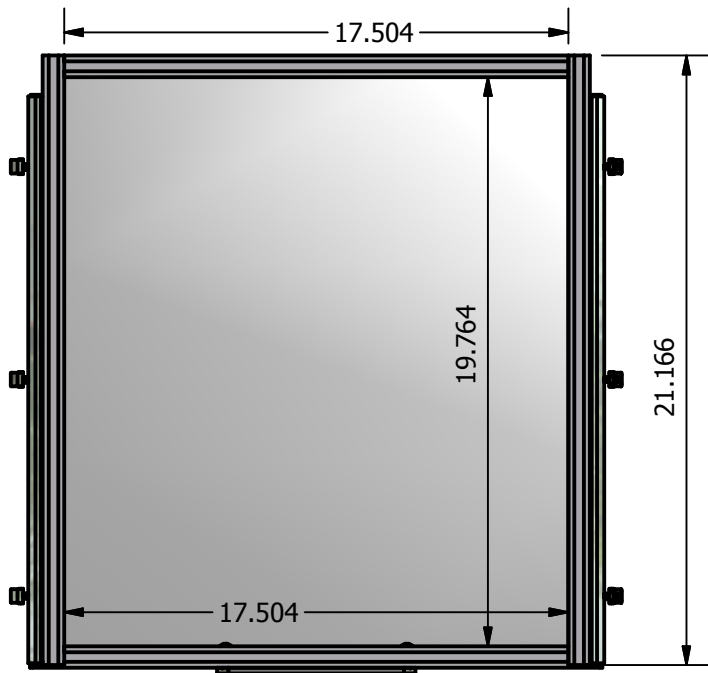
SPECIFY DESIGN SP070212-2
& DRAWER WIDTH TO GET A QUOTE



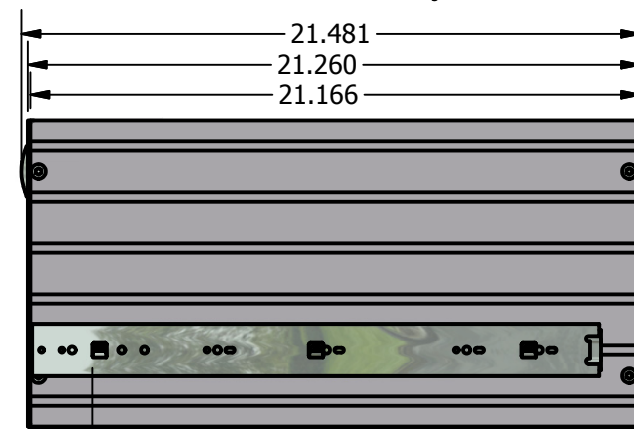
20" TRAVEL BALL BEARING
DRAWER SLIDES 95 LB/PAIR
(OTHER LENGTHS AVAILABLE)



PROJECT SP062512-2		 <small>THE ART OF SIMPLICITY</small>	<small>WWW.MINITECFRAMING.COM</small> <small>VICTOR, NY</small> <small>PH # 585 924-4690</small> <small>FX # 585 924-4821</small> <small>amoles@minitecframing.com</small>	
DRAWN BY ANDY MOLES				
DATE 6/27/2012				
DRAWN FOR MINITEC'S CUSTOMER	TITLE 19X270 DRAWER	DWG NO SP070212-2	REV	
<small>TOLERANCES UNLESS OTHERWISE NOTED</small> <small>X +/- .125"</small> <small>.XX +/- .015"</small> <small>.XXX +/- .010"</small>		MATERIAL	FINISH	
				SHEET 1 OF 7

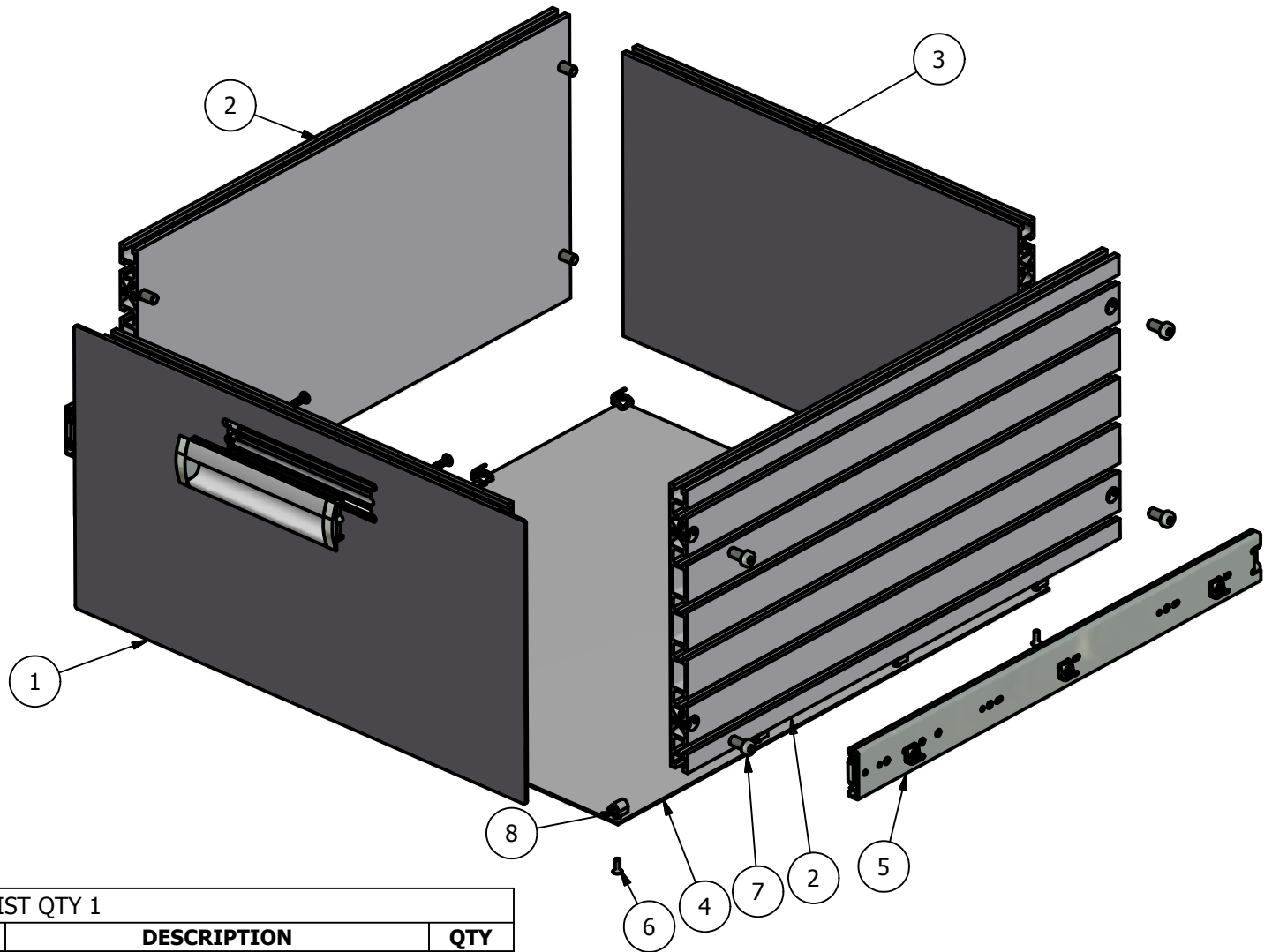


95LB CAP/SET
20" TRAVEL
DRAWER SLIDES




DIMENSIONS SHOWN IN THIS DRAWING ARE FOR A 20" DRAWER WIDTH. DRAWER WIDTH IS THE DIMENSION FROM THE OUTSIDE OF ONE DRAWER SLIDE TO THE OUTSIDE OF THE OTHER.

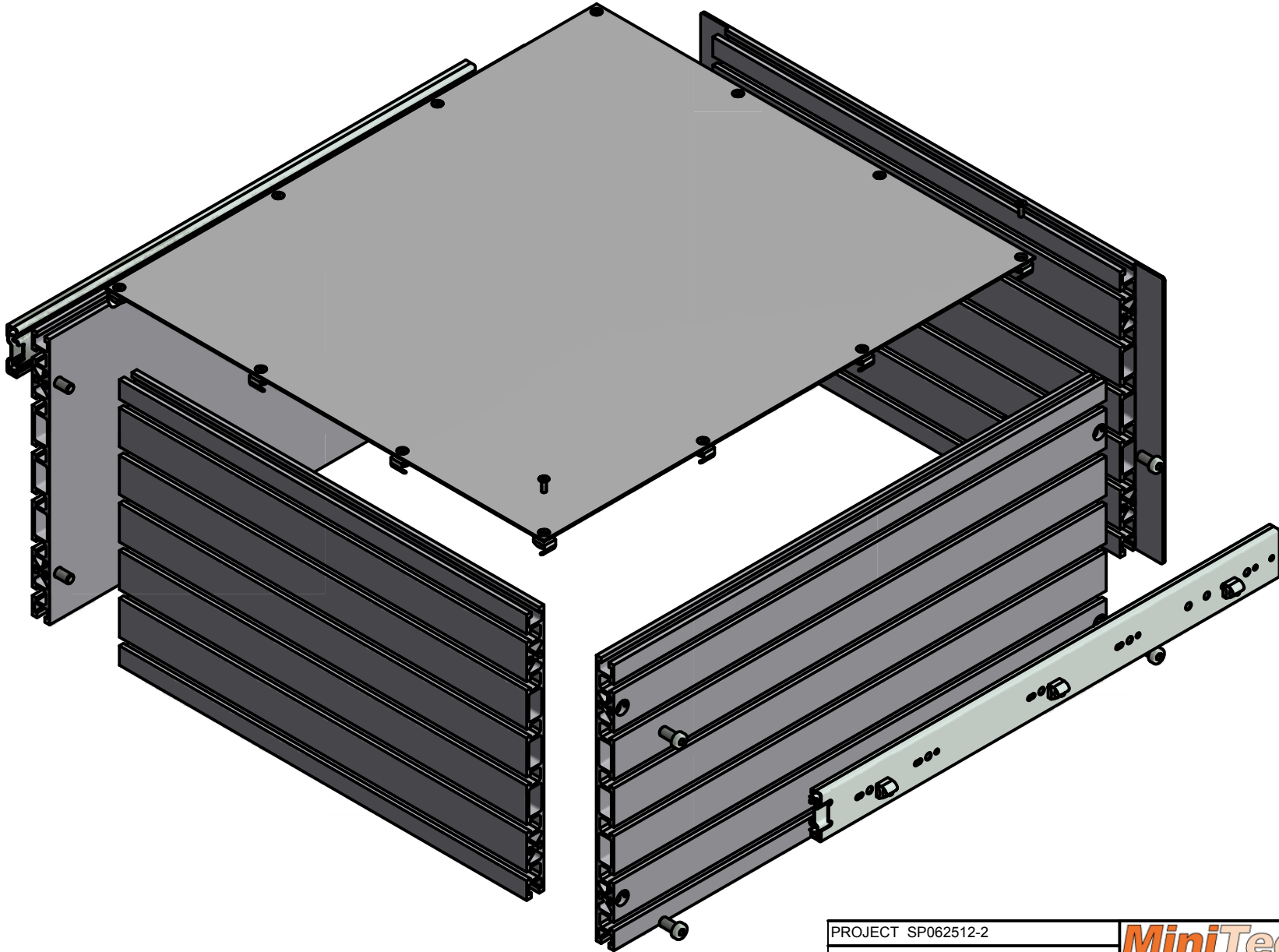
PROJECT SP062512-2		MiniTec THE ART OF SIMPLICITY	WWW.MINITECFRAMING.COM	
DRAWN BY ANDY MOLES			VICTOR, NY	
DATE 6/27/2012		PH # 585 924-4690		
		FX # 585 924-4821		
		amoles@minitecframing.com		
DRAWN FOR MINITEC'S CUSTOMER	TITLE 19X270 DRAWER	DWG NO SP070212-2	REV	
TOLERANCES UNLESS OTHERWISE NOTED .X +/- .1/32" .XX +/- .015" .XXX +/- .010"		MATERIAL		
		FINISH		SHEET 2 OF 7




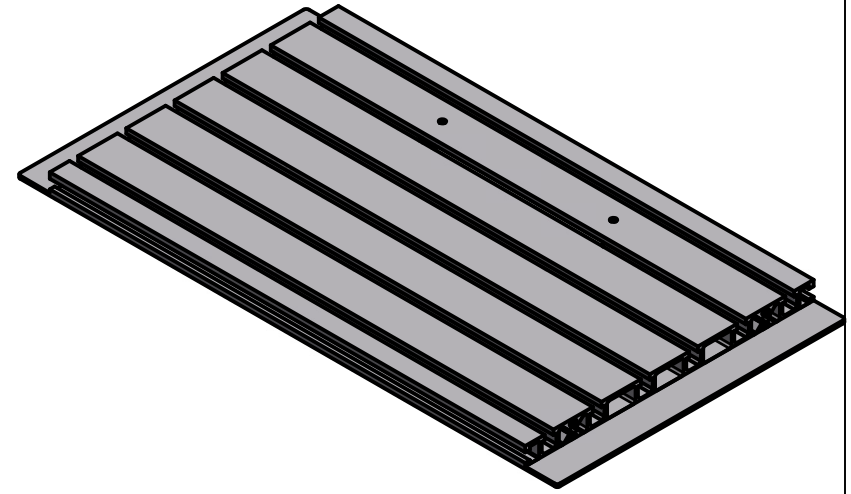
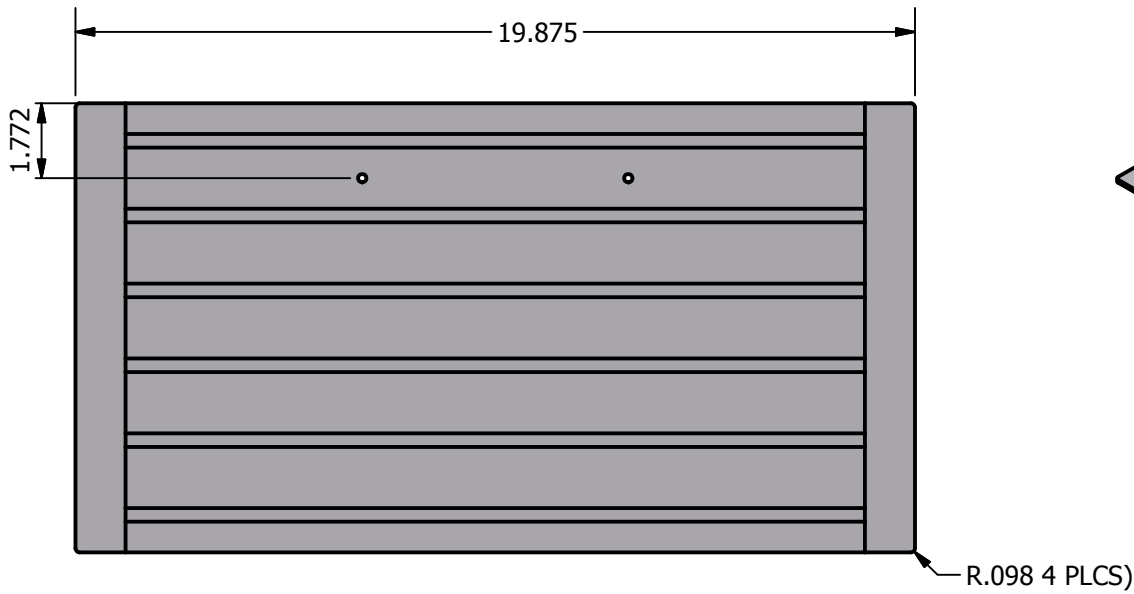
PARTS LIST QTY 1

ITEM	PART #	MATERIAL	DESCRIPTION	QTY
1	SP070212-2 -1	20.1077 PROFILE 19X270	MILL TO SP062512-2-1	1
2	SP070212-2 -2	20.1077 PROFILE 19X270	MILL TO SP062512-2-2	2
3	SP070212-2 -3	20.1077 PROFILE 19X270	TAP ALL 4 M8	1
4	SP070212-2 -5	21.9521/1 1/16" ANODIZED AL	MACHINE TO SP062512-2-5	1
5	32.9805 HALF		1/2 OF SET OF DRAWER SLIDE 20	2
6	21.1948		CSUNK M4X12	12
7	21.1200		M8 x 16 SHCS	8
8	21.1310/2		M4 SQUARE NUT W/ POS FXG	12
9	21.9308		FLUSH PULL 160 AL	1
10	21.9945		M4X16 BUTTON HEAD FLANGE	2

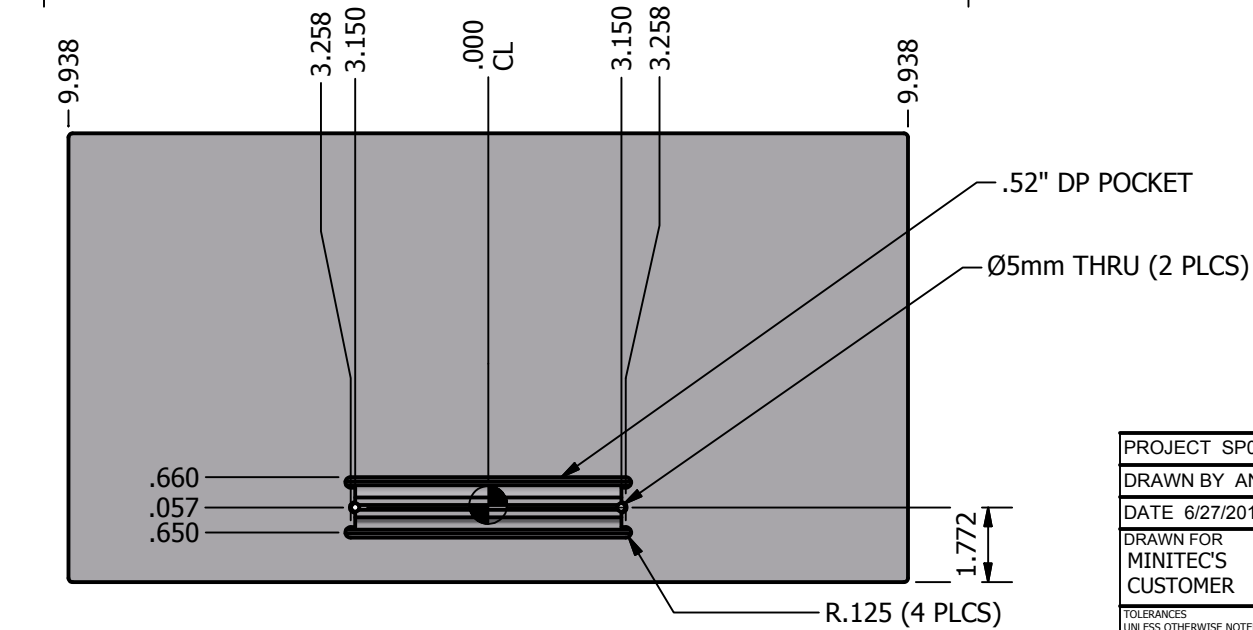
PROJECT SP062512-2			WWW.MINITECFRAMING.COM	
DRAWN BY ANDY MOLES			VICTOR, NY PH # 585 924-4690 FX # 585 924-4821 amoles@minitecframing.com	
DATE 6/27/2012		TITLE 19X270 DRAWER		DWG NO SP070212-2
DRAWN FOR MINITEC'S CUSTOMER		MATERIAL		REV
TOLERANCES UNLESS OTHERWISE NOTED X +/- .12" .XX +/- .015" .XXX +/- .010"		FINISH		SHEET 3 OF 7



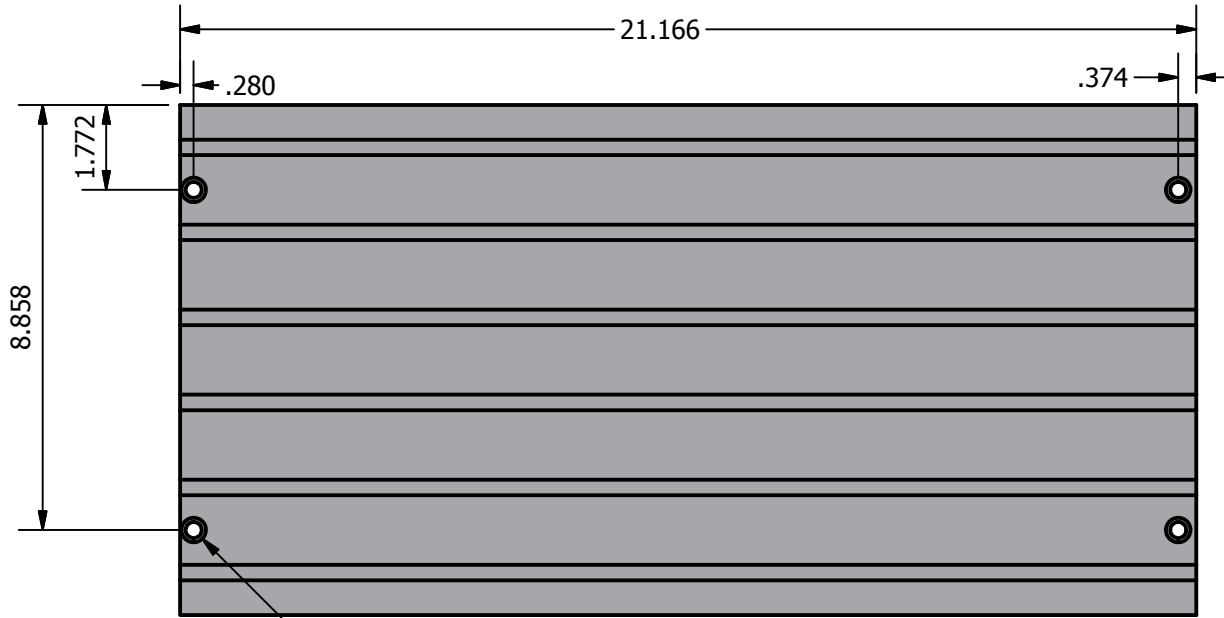
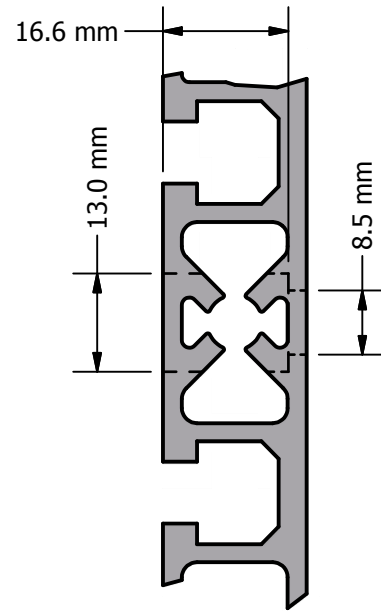
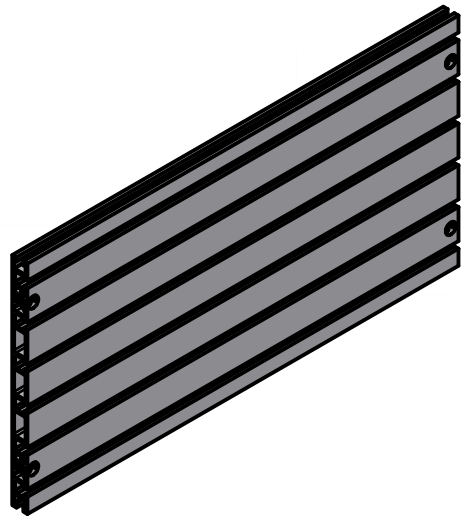
PROJECT SP062512-2		 THE ART OF SIMPLICITY	WWW.MINITECFRAMING.COM VICTOR, NY PH # 585 924-4690 FX # 585 924-4821 amoles@minitecframing.com	
DRAWN BY ANDY MOLES				
DATE 6/27/2012				
DRAWN FOR MINITEC'S CUSTOMER		TITLE 19X270 DRAWER	DWG NO SP070212-2	REV
TOLERANCES UNLESS OTHERWISE NOTED X +/- .125" .XX +/- .015" .XXX +/- .010"		MATERIAL		SHEET 4 OF 7
		FINISH		



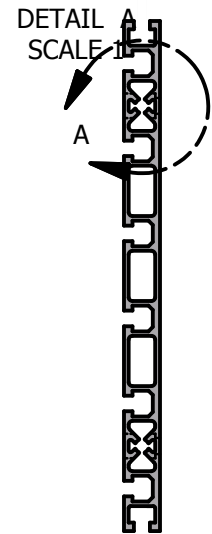
TAP BOTH HOLES BOTH ENDS
M8, 20mm DP



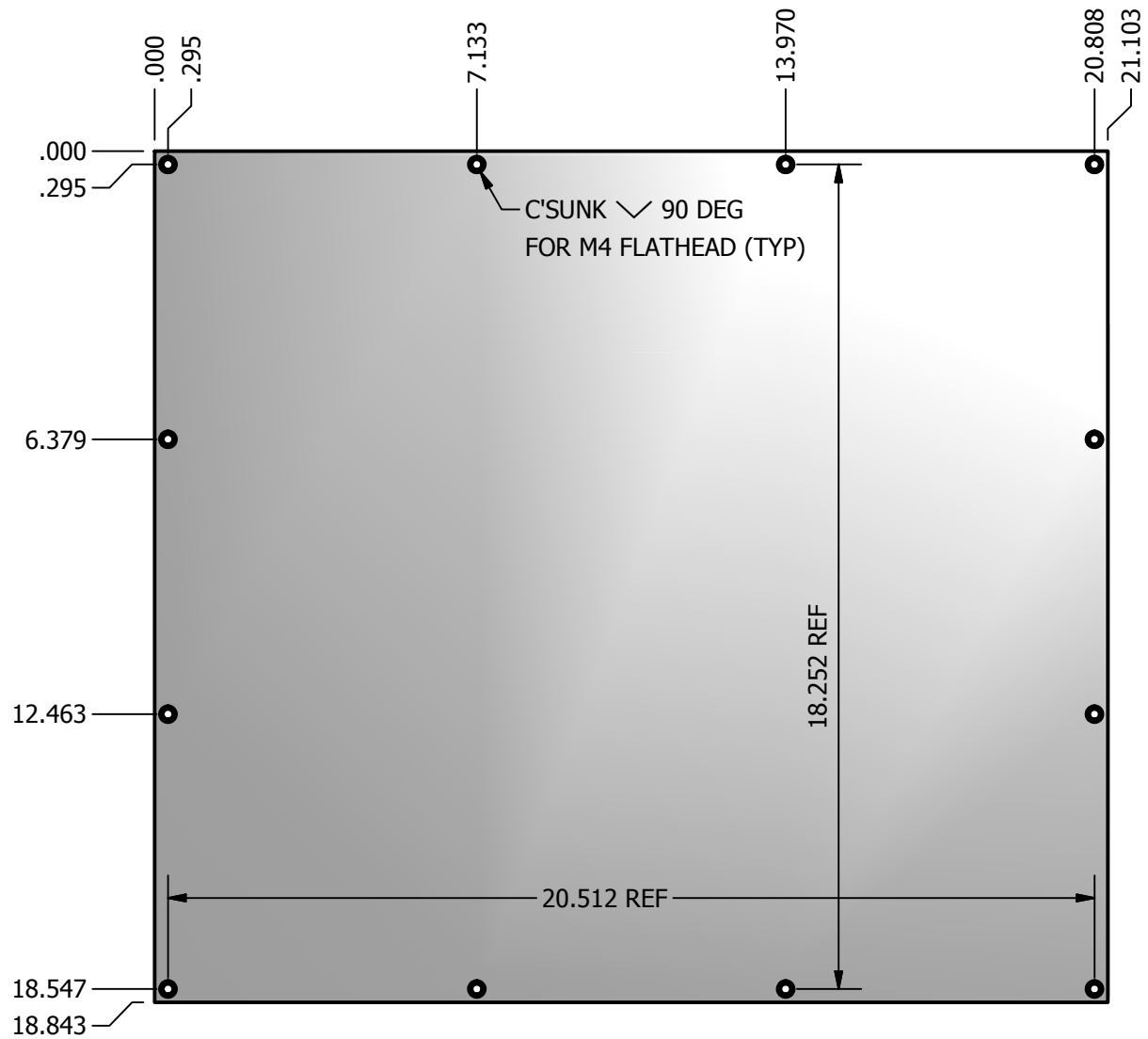
PROJECT SP062512-2		MiniTec THE ART OF SIMPLICITY		WWW.MINITECFRAMING.COM	
DRAWN BY ANDY MOLES				VICTOR, NY	
DATE 6/27/2012		PH # 585 924-4690		FX # 585 924-4821	
DRAWN FOR MINITEC'S CUSTOMER		TITLE 19X270 DRAWER		DWG NO SP070212-2 -1	
TOLERANCES UNLESS OTHERWISE NOTED X +/- .125" XX +/- .015" XXX +/- .010"		MATERIAL 20.1077 PROFILE 19X270		FINISH CLEAR ANODIZED	
				SHEET 5 OF 7	




\varnothing .335 THRU
 \square \varnothing .512 ∇ .654



PROJECT SP062512-2			WWW.MINITECFRAMING.COM VICTOR, NY PH # 585 924-4690 FX # 585 924-4821 amoles@minitecframing.com	
DRAWN BY ANDY MOLES				
DATE 6/27/2012				
DRAWN FOR MINITEC'S CUSTOMER	TITLE 19X270 DRAWER	DWG NO SP070212-2 -2	REV	
TOLERANCES UNLESS OTHERWISE NOTED X +/- .125" .XX +/- .015" .XXX +/- .010"		MATERIAL 20.1077 PROFILE 19X270		
FINISH CLEAR ANODIZED		SHEET 6 OF 7		



PROJECT SP062512-2			WWW.MINITECFRAMING.COM	
DRAWN BY ANDY MOLES			VICTOR, NY	
DATE 6/27/2012			PH # 585 924-4690 FX # 585 924-4821 amoles@minitecframing.com	
DRAWN FOR MINITEC'S CUSTOMER	TITLE 19X270 DRAWER	DWG NO SP070212-2 -5	REV	
TOLERANCES UNLESS OTHERWISE NOTED X +/- .12" XX +/- .015" XXX +/- .010"		MATERIAL 21.9521/1 1/16" ANODIZED AL		
FINISH		SHEET 7 OF 7		